

# CM10

## Product Description:

Powder coated metal showcase featuring glass fiber optic lighting and sliding glass front doors.

## Standard Features:

- 4 Top Down Lights
- 12 Lens Heads Per Shelf
- 12 Top Adjustable Lens Heads
- 76 Total Light Points
- 4 Glass Shelves,  $\frac{5}{16}$ " Glass
- 1 Abloy High Security Lock
- $\frac{1}{4}$ " Lockable Sliding Glass Doors
- Shown With Solid Metal Back and Base Shelf

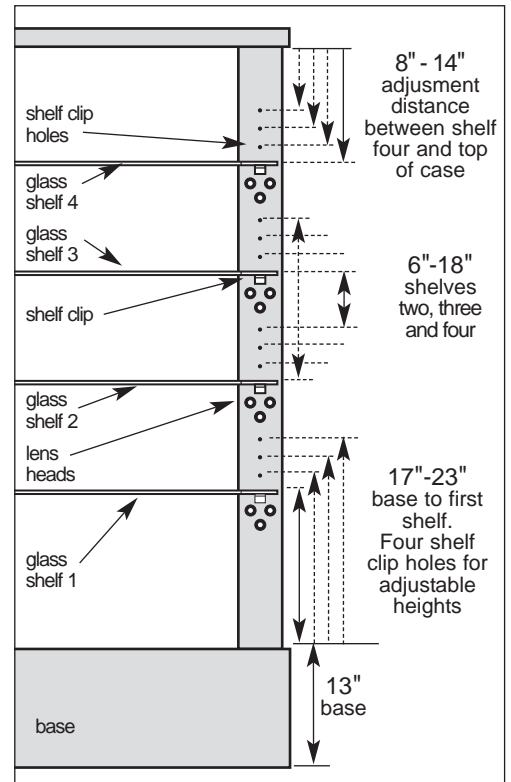
## Product Size:

- 48" x 22  $\frac{1}{4}$ " x 81"

## Options:

- Mirrored Back and Base Shelf
- Glass Back

## Shelf Spacing Diagram



Showcase shown is a standard CM10 in Black Wrinkle powder coated finish with solid metal back, powder coated with Black Wrinkle finish.



ACTIVE  
METAL, INC.

2219 Cottage St. ▪ Ashland, OH 44805 ▪ 419.281.9623 ▪ Fax: 419.282.0058 ▪ [www.activemetalinc.com](http://www.activemetalinc.com)

© 2005 Active Metal Inc.