

CM12 (AMVS1B)

Product Description:

Powder coated metal showcase featuring glass fiber optic lighting and swinging front glass door.

Standard Features:

- 6 Top Down Lights
- 12 Lens Heads Per Shelf
- 54 Total Light Points
- 3 Glass Shelves, $\frac{5}{16}$ " Glass
- 4 Abloy High Security Locks
- $\frac{1}{4}$ " Swinging Glass Doors
- Solid Metal Base Shelf
- Large Storage Area in Left Side of Base
- 360° Viewing

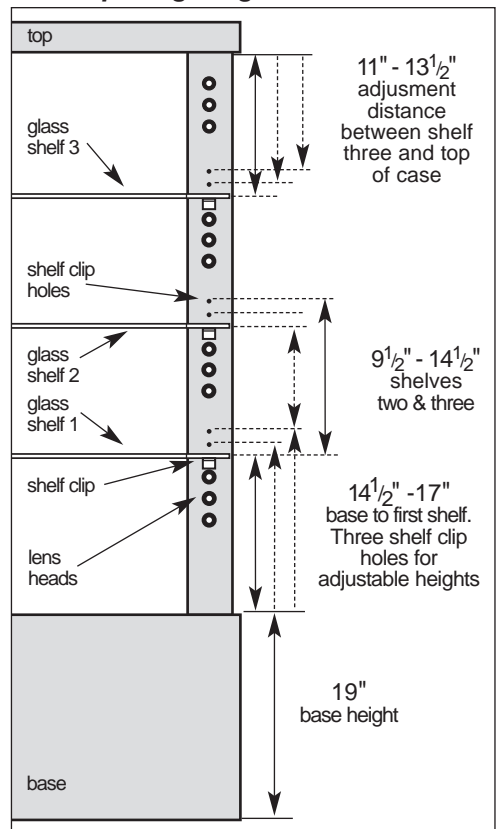
Product Size:

- 18" x 36" x 74"

Options:

- Mirrored Back and Base Shelf
- Solid Metal Back

Shelf Spacing Diagram



Showcase shown is a CM12 powder coated in White Silver Vein finish.



ACTIVE
METAL, INC.

2219 Cottage St. • Ashland, OH 44805 • 419.281.9623 • Fax: 419.282.0058 • www.activemetalinc.com

© 2005 Active Metal Inc.