

CM 17 (AMVS3A)

Product Description:

Powder coated metal showcase featuring glass fiber optic lighting and swinging front glass door.

Standard Features:

- 4 Top Down Lights
- 12 Lens Heads Per Shelf
- 52 Total Light Points
- 3 Glass Shelves, $\frac{5}{16}$ " Glass
- 2 Abloy High Security Locks
- $\frac{1}{4}$ " Swinging Glass Door
- Solid Metal Base Shelf
- 360° Viewing

Product Size:

- 24" x 24" x 74"

Options:

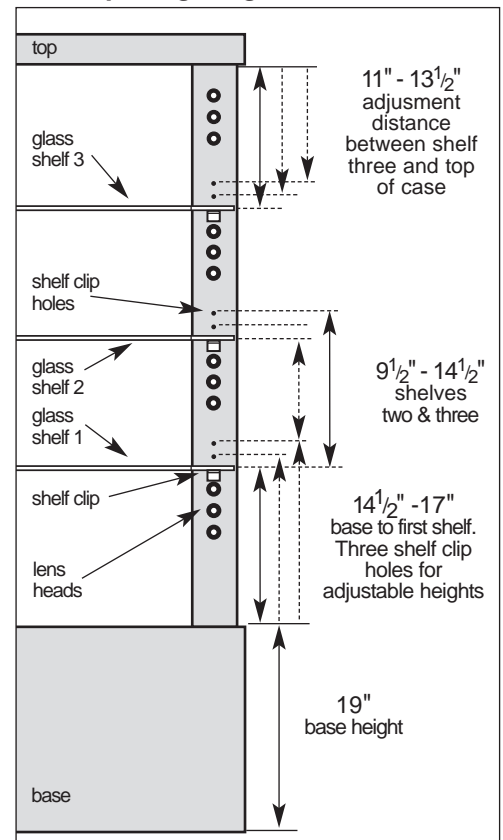
- Mirrored Back and Base Shelf
- Solid Metal Back



Showcase shown is a standard CM17 in Black Wrinkle powder coated finish.

Props courtesy of Anheuser-Busch, Inc.

Shelf Spacing Diagram



ACTIVE METAL, INC. 2219 Cottage St. • Ashland, OH 44805 • 419.281.9623 • Fax: 419.282.0058 • www.activemetalinc.com

© 2005 Active Metal Inc.