

## CM16 (AMVS2C)

### Product Description:

Powder coated metal showcase featuring glass fiber optic lighting and swinging front glass doors.

### Standard Features:

- 6 Top Down Lights
- 12 Lens Heads Per Shelf
- 54 Total Light Points
- 3 Glass Shelves,  $\frac{5}{16}$ " Glass
- 4 Abloy High Security Locks
- $\frac{1}{4}$ " Swinging Glass Doors
- Solid Metal Base Shelf
- Large Storage Area in Left Side of Base
- 360° Viewing

### Product Size:

- 20" x 48" x 74"

### Options:

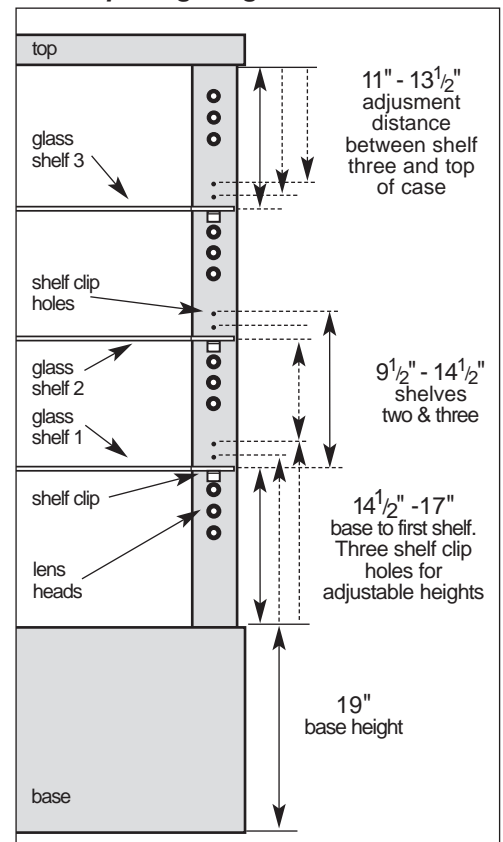
- Mirrored Back and Base Shelf
- Solid Metal Back (as shown)



Showcase shown is a CM16 powder coated in White Silver Vein finish, shown with optional solid metal back.

Props courtesy of Anheuser-Busch, Inc.

### Shelf Spacing Diagram



ACTIVE  
METAL, INC.

2219 Cottage St. ■ Ashland, OH 44805 ■ 419.281.9623 ■ Fax: 419.282.0058 ■ [www.activemetalinc.com](http://www.activemetalinc.com)

© 2005 Active Metal Inc.