

CM39

Product Description:

Powder coated metal showcase featuring glass fiber optic lighting and swinging front glass doors.

Standard Features:

- 6 Top Down Lights
- 12 Lens Heads Per Shelf
- 54 Total Light Points
- 3 Glass Shelves, $\frac{5}{16}$ " Glass
- 4 Abloy High Security Locks
- $\frac{1}{4}$ " Swinging Glass Doors
- Solid Metal Base Shelf
- Large Storage Area in Left Side of Base
- 360° Viewing

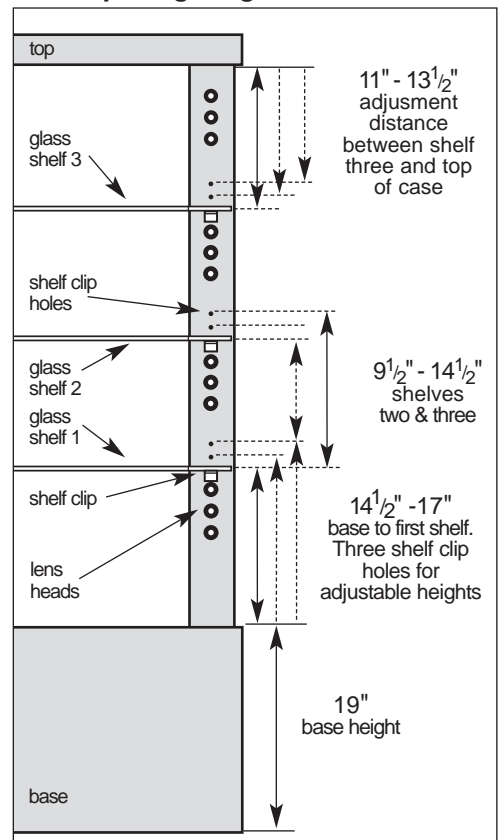
Product Size:

- $19\frac{5}{8}$ " x $37\frac{1}{2}$ " x 75"

Options:

- Mirrored Back and Base Shelf
- Solid Metal Back

Shelf Spacing Diagram



Showcase shown is a standard CM39 in White Silver Vein powder coated finish.

