

CM10

Product Description:

Powder coated metal showcase featuring glass fiber optic lighting and sliding glass front doors.

Standard Features:

- 4 Top Down Lights
- 12 Lens Heads Per Shelf
- 12 Top Adjustable Lens Heads
- 76 Total Light Points
- 4 Glass Shelves, $\frac{5}{16}$ " Glass
- 1 Abloy High Security Lock
- $\frac{1}{4}$ " Lockable Sliding Glass Doors
- Shown With Solid Metal Back and Base Shelf

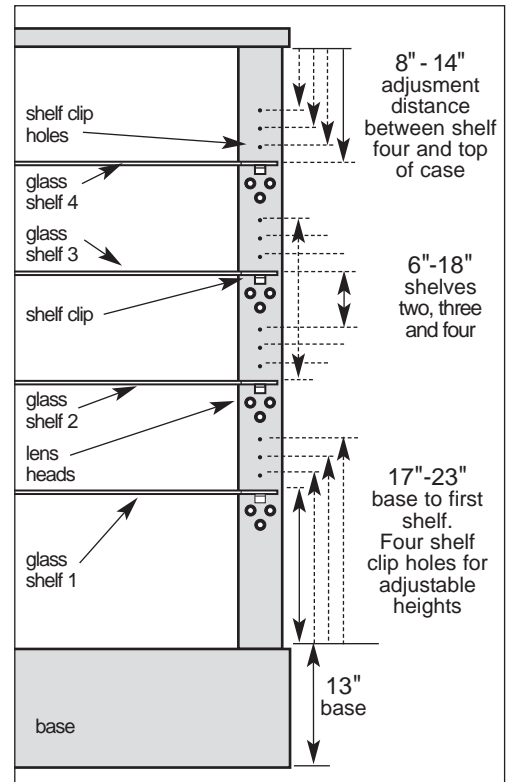
Product Size:

- 48" x 22 $\frac{1}{4}$ " x 81"

Options:

- Mirrored Back and Base Shelf
- Glass Back

Shelf Spacing Diagram



Showcase shown is a standard CM10 in Black Wrinkle powder coated finish with solid metal back, powder coated with Black Wrinkle finish.



ACTIVE
METAL, INC.

2219 Cottage St. ▪ Ashland, OH 44805 ▪ 419.281.9623 ▪ Fax: 419.282.0058 ▪ www.activemetalinc.com

© 2005 Active Metal Inc.

CM12 (AMVS1B)

Product Description:

Powder coated metal showcase featuring glass fiber optic lighting and swinging front glass door.

Standard Features:

- 6 Top Down Lights
- 12 Lens Heads Per Shelf
- 54 Total Light Points
- 3 Glass Shelves, $\frac{5}{16}$ " Glass
- 4 Abloy High Security Locks
- $\frac{1}{4}$ " Swinging Glass Doors
- Solid Metal Base Shelf
- Large Storage Area in Left Side of Base
- 360° Viewing

Product Size:

- 18" x 36" x 74"

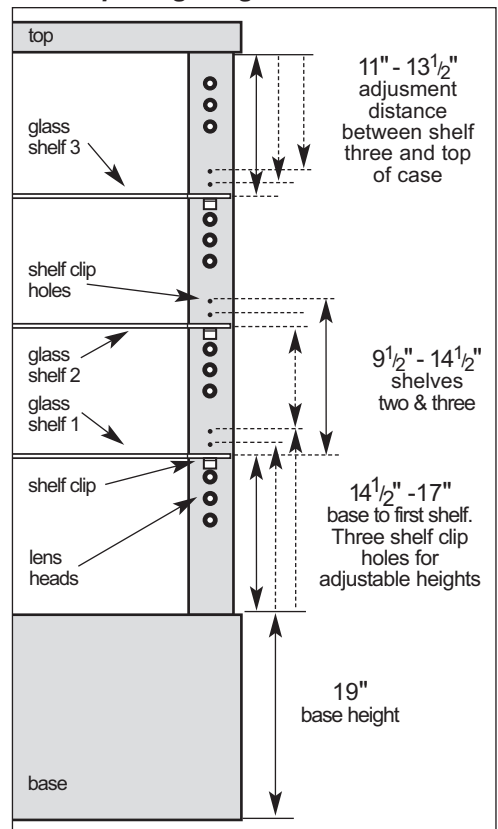
Options:

- Mirrored Back and Base Shelf
- Solid Metal Back



Showcase shown is a CM12 powder coated in White Silver Vein finish.

Shelf Spacing Diagram



CM13 (AMVS1C)

Product Description:

Powder coated metal showcase featuring glass fiber optic lighting and swinging glass front doors.

Standard Features:

- 6 Top Down Lights
- 12 Lens Heads Per Shelf
- 54 Total Light Points
- 3 Glass Shelves, $\frac{5}{16}$ " Glass
- 4 Ablox High Security Locks
- $\frac{1}{4}$ " Swinging Glass Doors
- Solid Metal Base Shelf
- Large Storage Area in Left Side of Base
- 360° Viewing

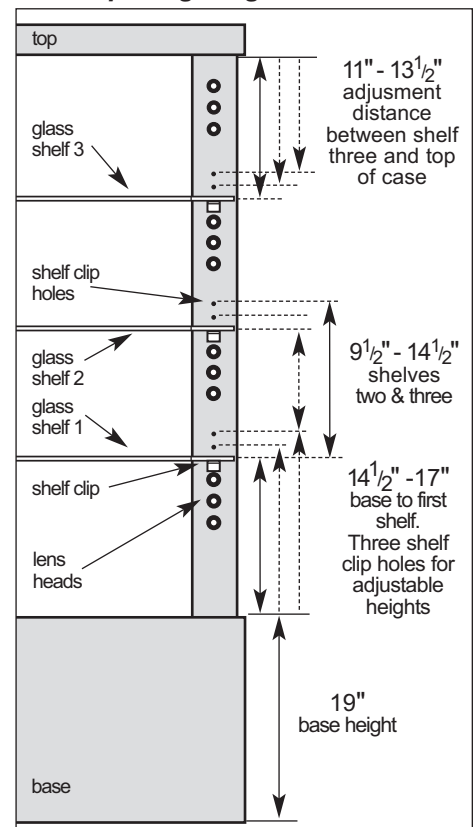
Product Size:

- 48" x 18" x 74"

Options:

- Mirrored Back and Base Shelf
- Solid Metal Back (as shown)

Shelf Spacing Diagram



Showcase shown is a CM13 in White Silver Vein powder coated finish, shown with optional solid metal back.

Props courtesy of Anheuser-Busch, Inc.



ACTIVE
METAL, INC.

2219 Cottage St. • Ashland, OH 44805 • 419.281.9623 • Fax: 419.282.0058 • www.activemetalinc.com

© 2005 Active Metal Inc.

CM15 (AMVS2B)

Product Description:

Powder coated metal showcase featuring glass fiber optic lighting and swinging front glass doors.

Standard Features:

- 6 Top Down Lights
- 12 Lens Heads Per Shelf
- 52 Total Light Points
- 3 Glass Shelves, $\frac{5}{16}$ " Glass
- 4 Abloy High Security Locks
- $\frac{1}{4}$ " Swinging Glass Doors
- Solid Metal Base Shelf
- Large Storage Area in Left Side of Base
- 360° Viewing

Product Size:

- 20" x 36" x 74"

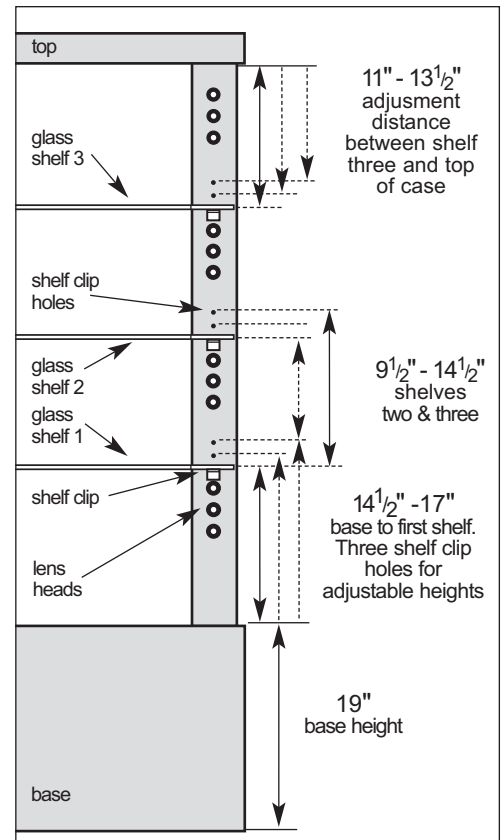
Options:

- Mirrored Back and Base Shelf
- Solid Metal Back (as shown)



Showcase shown is a CM15 powder coated in Flat Sandbar finish with optional solid back.

Shelf Spacing Diagram



ACTIVE
METAL, INC.

2219 Cottage St. • Ashland, OH 44805 • 419.281.9623 • Fax: 419.282.0058 • www.activemetalinc.com

© 2005 Active Metal Inc.

CM16 (AMVS2C)

Product Description:

Powder coated metal showcase featuring glass fiber optic lighting and swinging front glass doors.

Standard Features:

- 6 Top Down Lights
- 12 Lens Heads Per Shelf
- 54 Total Light Points
- 3 Glass Shelves, $\frac{5}{16}$ " Glass
- 4 Abloy High Security Locks
- $\frac{1}{4}$ " Swinging Glass Doors
- Solid Metal Base Shelf
- Large Storage Area in Left Side of Base
- 360° Viewing

Product Size:

- 20" x 48" x 74"

Options:

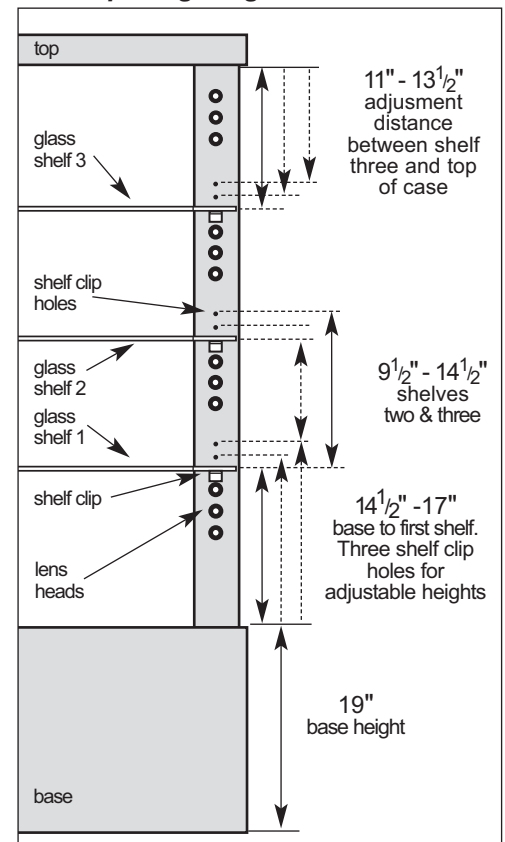
- Mirrored Back and Base Shelf
- Solid Metal Back (as shown)



Showcase shown is a CM16 powder coated in White Silver Vein finish, shown with optional solid metal back.

Props courtesy of Anheuser-Busch, Inc.

Shelf Spacing Diagram



ACTIVE
METAL, INC.

2219 Cottage St. • Ashland, OH 44805 • 419.281.9623 • Fax: 419.282.0058 • www.activemetalinc.com

© 2005 Active Metal Inc.

CM18 (AMVS3B)

Product Description:

Powder coated metal showcase featuring glass fiber optic lighting and swinging front glass doors.

Standard Features:

- 6 Top Down Lights
- 12 Lens Heads Per Shelf
- 54 Total Light Points
- 3 Glass Shelves, $\frac{5}{16}$ " Glass
- 4 Abloy High Security Locks
- $\frac{1}{4}$ " Swinging Glass Doors
- Solid Metal Base Shelf
- Large Storage Area in Left Side of Base
- 360° Viewing

Product Size:

- 24" x 36" x 74"

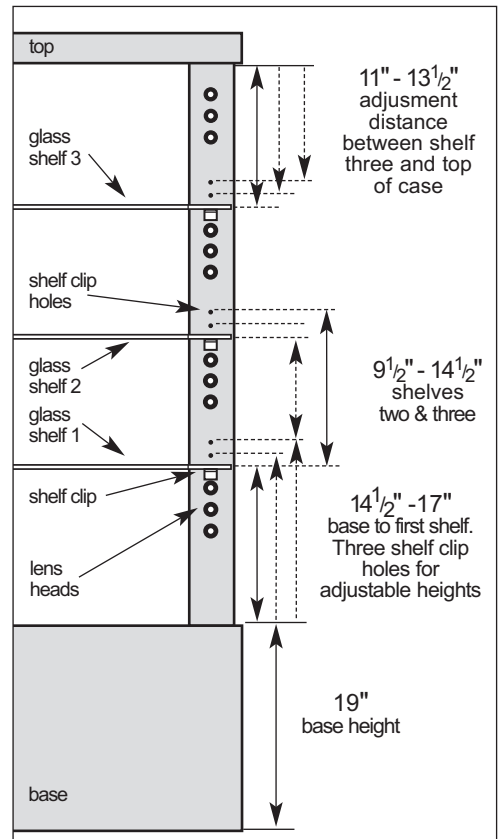
Options:

- Mirrored Back and Base Shelf
- Solid Metal Back



Showcase shown is a standard CM18 in White Silver Vein powder coated finish.

Shelf Spacing Diagram



CM19 (AMVS3C)

Product Description:

Powder coated metal showcase featuring glass fiber optic lighting and swinging front glass doors.

Standard Features:

- 6 Top Down Lights
- 12 Lens Heads Per Shelf
- 54 Total Light Points
- 3 Glass Shelves, $\frac{5}{16}$ " Glass
- 4 Abloy High Security Locks
- $\frac{1}{4}$ " Swinging Glass Doors
- Solid Metal Base Shelf
- Large Storage Area in Left Side of Base
- 360° Viewing

Product Size:

- 24" x 48" x 74"

Options:

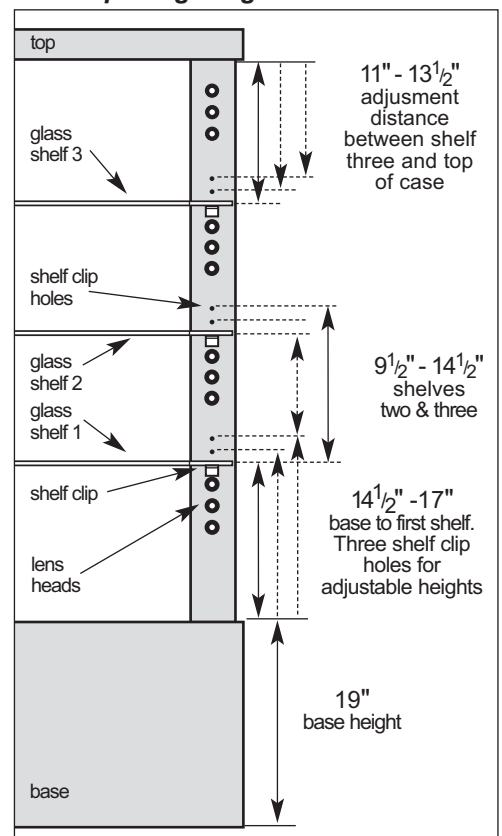
- Mirrored Back and Base Shelf
- Solid Metal Back (as shown)



Showcase shown is a CM19 in White Silver Vein powder coated finish, shown with optional solid metal back

Props courtesy of Anheuser-Busch, Inc.

Shelf Spacing Diagram



CM39

Product Description:

Powder coated metal showcase featuring glass fiber optic lighting and swinging front glass doors.

Standard Features:

- 6 Top Down Lights
- 12 Lens Heads Per Shelf
- 54 Total Light Points
- 3 Glass Shelves, $\frac{5}{16}$ " Glass
- 4 Abloy High Security Locks
- $\frac{1}{4}$ " Swinging Glass Doors
- Solid Metal Base Shelf
- Large Storage Area in Left Side of Base
- 360° Viewing

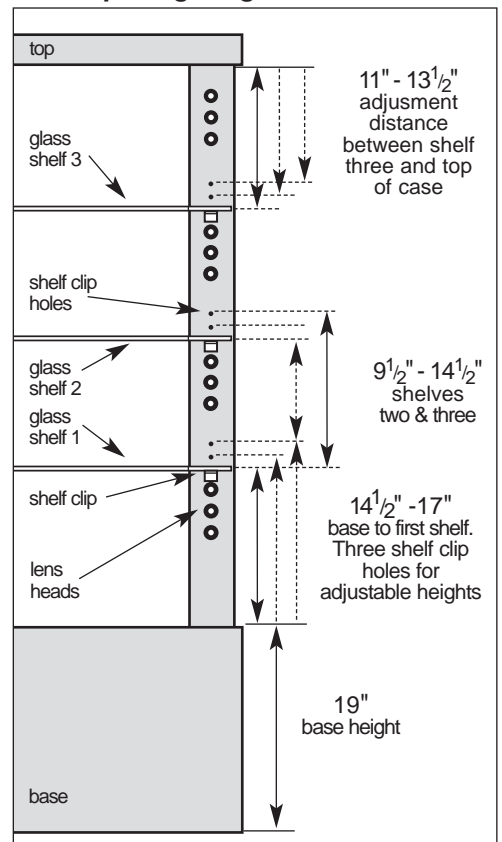
Product Size:

- $19\frac{5}{8}$ " x $37\frac{1}{2}$ " x 75"

Options:

- Mirrored Back and Base Shelf
- Solid Metal Back

Shelf Spacing Diagram



Showcase shown is a standard CM39 in White Silver Vein powder coated finish.



CM54

Product Description:

Powder coated metal showcase featuring glass fiber optic lighting and sliding front glass doors.

Standard Features:

- 48 Adjustable Lens Heads
- 6 Down Lights
- 3 Glass Shelves
- 2 Abloy High Security Locks
- 1/4" Lockable Sliding Glass Doors
- Solid Metal Back & Base Shelf
- Large storage Area in Left Side of Base

Product Size:

- 18" x 48" x 81"

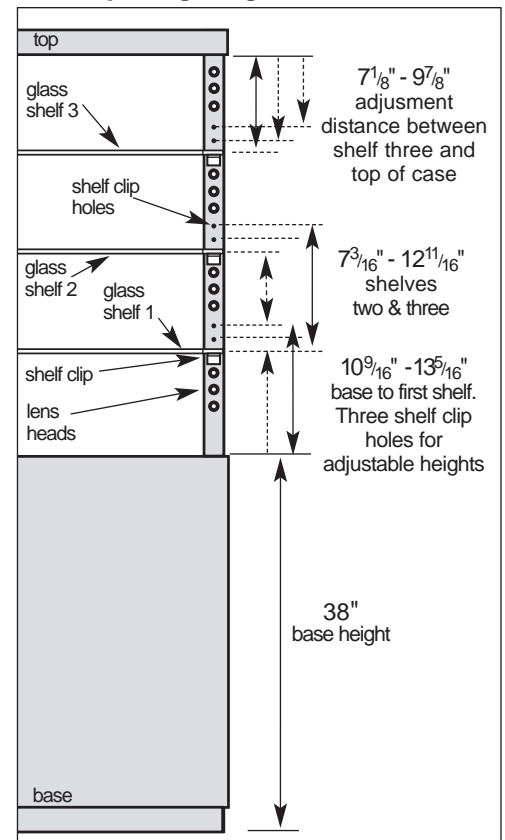
Options:

- Mirrored Back and Base Shelf
- Glass Metal Back



Showcase shown is a standard CM56 powder coated in blue wrinkle with metal back panel powder coated in charcoal

Shelf Spacing Diagram



ACTIVE
METAL, INC.

2219 Cottage St. ▪ Ashland, OH 44805 ▪ 419.281.9623 ▪ Fax: 419.282.0058 ▪ www.activemetalinc.com

© 2005 Active Metal Inc.

CM1

Product Description:

Powder coated metal showcase featuring glass fiber optic lighting and swinging curved front glass doors.

Standard Features:

- 6 Top Down Lights
- 14 Top Adjustable Lens Heads
- 8 Lens Heads Per Shelf
- 52 Total Light Points
- 3 Glass Shelves, $\frac{5}{16}$ " Glass
- 4 Abloy High Security Locks
- $\frac{1}{4}$ " Curved Glass Doors
- Solid Metal Back and Base Shelf
- Large Storage Area in Left Side of Base

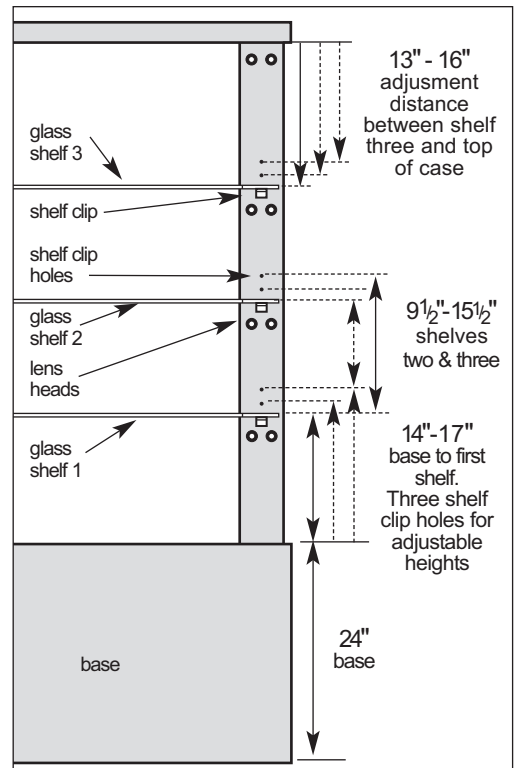
Product Size:

- $39\frac{3}{8}$ " x $21\frac{1}{2}$ " x 81"

Options:

- Mirrored Back and Base Shelf
- Glass Back

Shelf Spacing Diagram



Showcase shown is a standard CM1 in Coppertex powder coated finish with solid metal back, powder coated with Charcoal finish.

Props courtesy of Anheuser-Busch, Inc.



ACTIVE
METAL, INC.

2219 Cottage St. • Ashland, OH 44805 • 419.281.9623 • Fax: 419.282.0058 • www.activemetalinc.com

© 2005 Active Metal Inc.

CM 2

Product Description:

Powder coated metal showcase featuring glass fiber optic lighting and swinging curved front and rear glass doors.

Standard Features:

- 6 Top Down Lights
- 14 Top Adjustable Lens Heads
- 8 Lens Heads Per Shelf
- 52 Total Light Points
- 3 Glass Shelves, $\frac{5}{16}$ " Glass
- 8 Abloy High Security Locks
- $\frac{1}{4}$ " Curved Front and Rear Glass Doors
- Solid Metal Base Shelf
- Large Storage Area in Left Side of Base

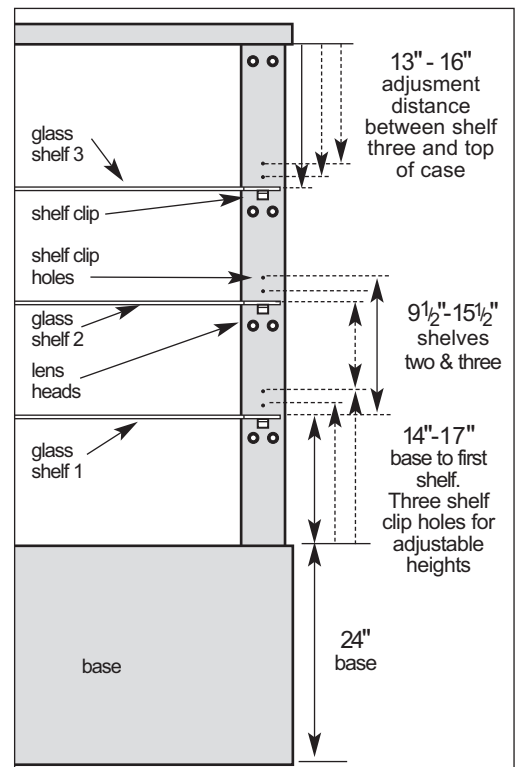
Product Size:

- $39\frac{3}{8}$ " x $28\frac{3}{8}$ " x 81"

Options:

- Mirrored Base Shelf

Shelf Spacing Diagram



Showcase shown is a standard CM2 in White Silver Vein powder coated finish with swinging glass back doors.

Props courtesy of Anheuser-Busch, Inc.



CM3

Product Description:

Powder coated metal showcase featuring glass fiber optic lighting and swinging front glass doors.

Standard Features:

- 6 Top Down Lights
- 14 Top Adjustable Lens Heads
- 8 Lens Heads Per Shelf
- 52 Total Light Points
- 3 Glass Shelves, $\frac{5}{16}$ " Glass
- 4 Abloy High Security Locks
- $\frac{1}{4}$ " Swinging Glass Doors
- Shown With Solid Metal Back and Base Shelf
- Large Storage Area in Left Side of Base

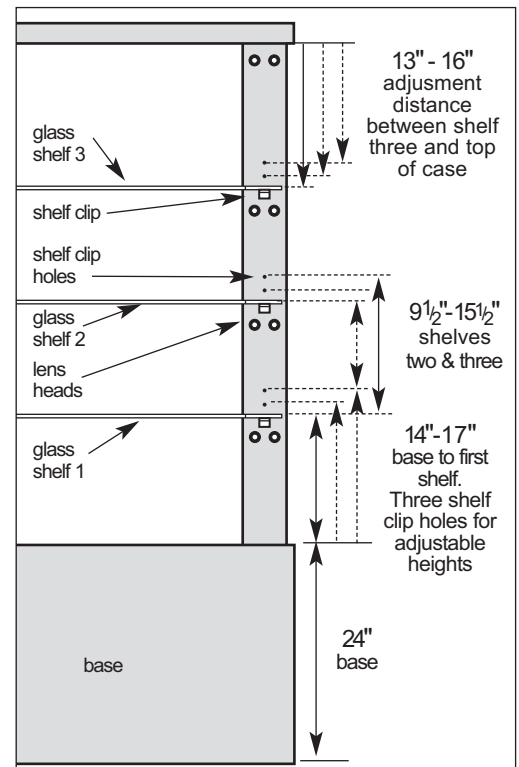
Product Size:

- $39\frac{3}{8}$ " x $21\frac{1}{2}$ " x 81"

Options:

- Mirrored Back and Base Shelf
- Glass Back

Shelf Spacing Diagram



81"



Showcase shown is a standard CM3 in White Silver Vein powder coated finish with solid metal back, powder coated with Blue Wrinkle finish.

Props courtesy of Anheuser-Busch, Inc.



ACTIVE
METAL, INC.

2219 Cottage St. • Ashland, OH 44805 • 419.281.9623 • Fax: 419.282.0058 • www.activemetalinc.com

© 2005 Active Metal Inc.

CM 4

Product Description:

Powder coated metal showcase featuring glass fiber optic lighting and sliding front glass doors.

Standard Features:

- 6 Top Down Lights
- 14 Top Adjustable Lens Heads
- 8 Lens Heads Per Shelf
- 52 Total Light Points
- 3 Glass Shelves, $\frac{5}{16}$ " Glass
- 2 Abloy High Security Locks
- $\frac{1}{4}$ " Lockable Sliding Glass Doors
- Shown With Solid Metal Back and Base Shelf
- Large Storage Area in Left Side of Base

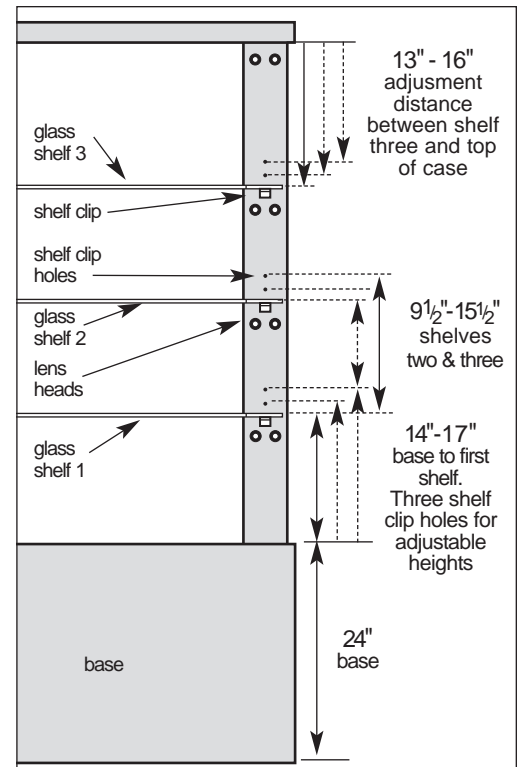
Product Size:

- $39\frac{3}{8}$ " x $21\frac{1}{2}$ " x 81"

Options:

- Mirrored Back and Base Shelf
- Glass Back

Shelf Spacing Diagram



Showcase shown is a standard CM4 in Moccasin II powder coated finish with solid metal back, powder coated with Blue Wrinkle finish.

CM11 (AMVS1A)

Product Description:

Powder coated metal showcase featuring glass fiber optic lighting and swinging front glass door.

Standard Features:

- 4 Top Down Lights
- 12 Lens Heads Per Shelf
- 52 Total Light Points
- 3 Glass Shelves, $\frac{5}{16}$ " Glass
- 2 Abloy High Security Locks
- $\frac{1}{4}$ " Swinging Glass Door
- Solid Metal Base Shelf
- 360° Viewing

Product Size:

- 18" x 18" x 74"

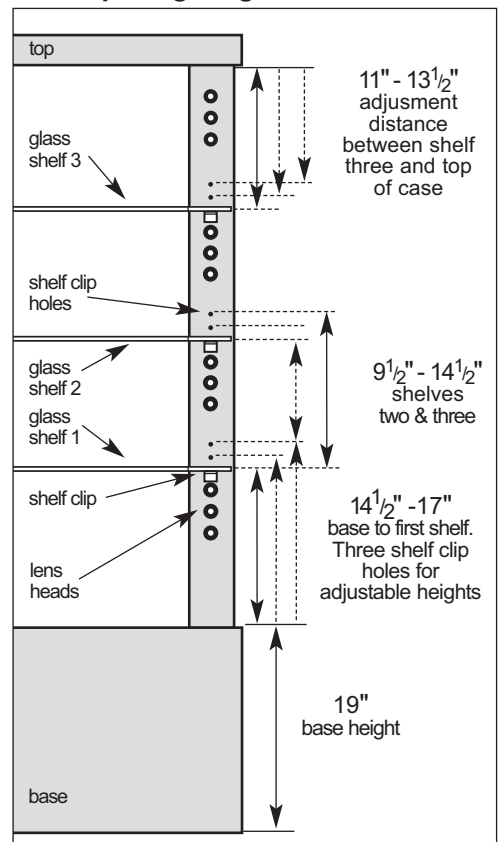
Options:

- Mirrored Back and Base Shelf
- Solid Metal Back



Showcase shown is a CM11 powder coated in Black Wrinkle finish.
Props courtesy of Anheuser-Busch, Inc.

Shelf Spacing Diagram



ACTIVE
METAL, INC.

2219 Cottage St. • Ashland, OH 44805 • 419.281.9623 • Fax: 419.282.0058 • www.activemetalinc.com

© 2005 Active Metal Inc.

CM 29 (AMVS1D)

Product Description:

Powder coated metal showcase featuring glass fiber optic lighting and swinging front glass door.

Standard Features:

- 4 Top Down Lights
- 12 Lens Heads Per Shelf
- 52 Total Light Points
- 3 Glass Shelves, $\frac{5}{16}$ " Glass
- 2 Abloy High Security Locks
- $\frac{1}{4}$ " Swinging Glass Door
- Solid Metal Base Shelf
- 360° Viewing

Product Size:

- 18" x 24" x 74"

Options:

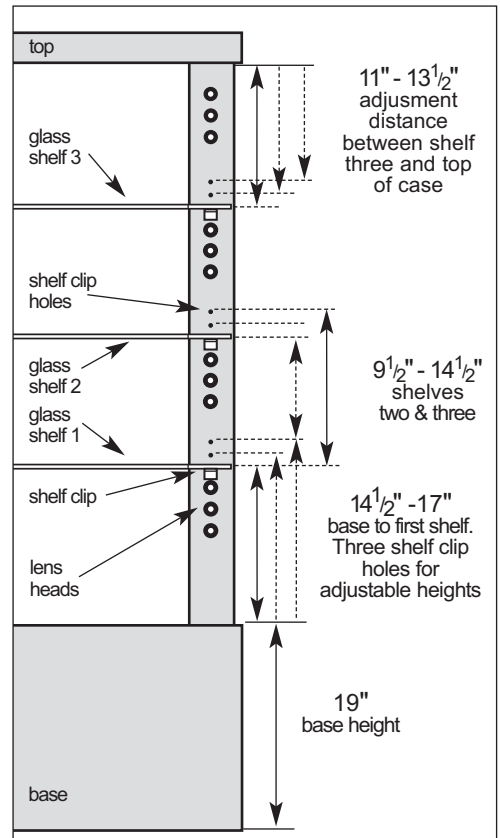
- Mirrored Back and Base Shelf
- Solid Metal Back



Showcase shown is a CM29 powder coated in Black Wrinkle finish with standard glass back.

Props courtesy of Anheuser-Busch, Inc.

Shelf Spacing Diagram



CM14 (AMVS2A)

Product Description:

Powder coated metal showcase featuring glass fiber optic lighting and swinging front glass door.

Standard Features:

- 4 Top Down Lights
- 12 Lens Heads Per Shelf
- 52 Total Light Points
- 3 Glass Shelves, $\frac{5}{16}$ " Glass
- 2 Abloy High Security Locks
- $\frac{1}{4}$ " Swinging Glass Door
- Solid Metal Base Shelf
- 360° Viewing

Product Size:

- 20" x 20" x 74"

Options:

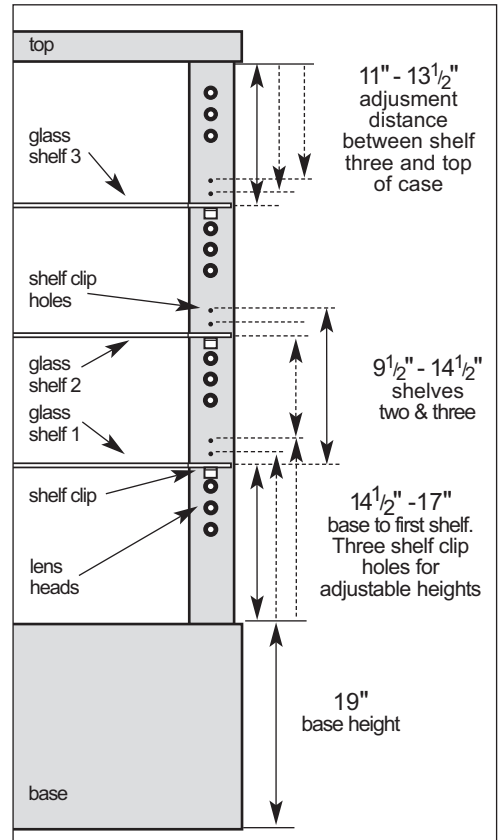
- Mirrored Back and Base Shelf
- Solid Metal Back



Showcase shown is a standard CM14 powder coated in Black Wrinkle finish with standard glass back.

Props courtesy of Anheuser-Busch, Inc.

Shelf Spacing Diagram



CM17 (AMVS3A)

Product Description:

Powder coated metal showcase featuring glass fiber optic lighting and swinging front glass door.

Standard Features:

- 4 Top Down Lights
- 12 Lens Heads Per Shelf
- 52 Total Light Points
- 3 Glass Shelves, $\frac{5}{16}$ " Glass
- 2 Abloy High Security Locks
- $\frac{1}{4}$ " Swinging Glass Door
- Solid Metal Base Shelf
- 360° Viewing

Product Size:

- 24" x 24" x 74"

Options:

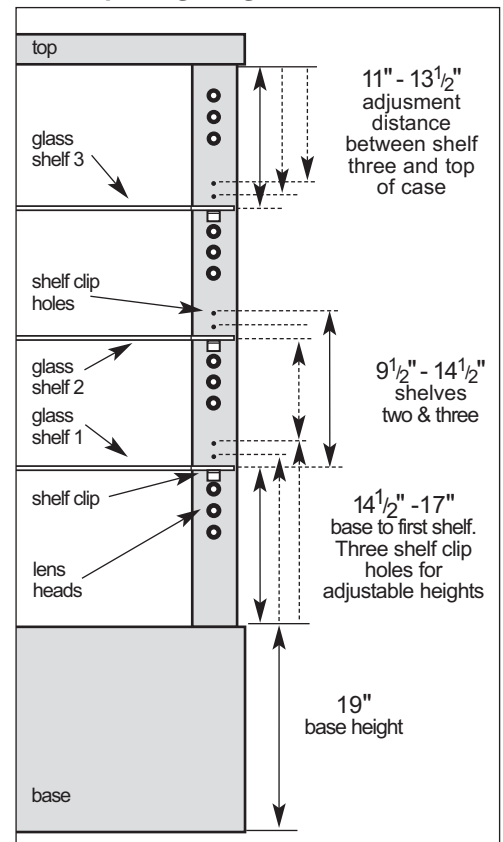
- Mirrored Back and Base Shelf
- Solid Metal Back



Showcase shown is a standard CM17 in Black Wrinkle powder coated finish.

Props courtesy of Anheuser-Busch, Inc.

Shelf Spacing Diagram



CM30

Product Description:

Powder coated metal showcase featuring glass fiber optic lighting and swinging front glass door.

Standard Features:

- 4 Top Down Lights
- 12 Lens Heads Per Shelf
- 52 Total Light Points
- 3 Glass Shelves, $\frac{5}{16}$ " Glass
- 2 Abloy High Security Locks
- $\frac{1}{4}$ " Swinging Glass Door
- Solid Metal Base Shelf
- 360° Viewing

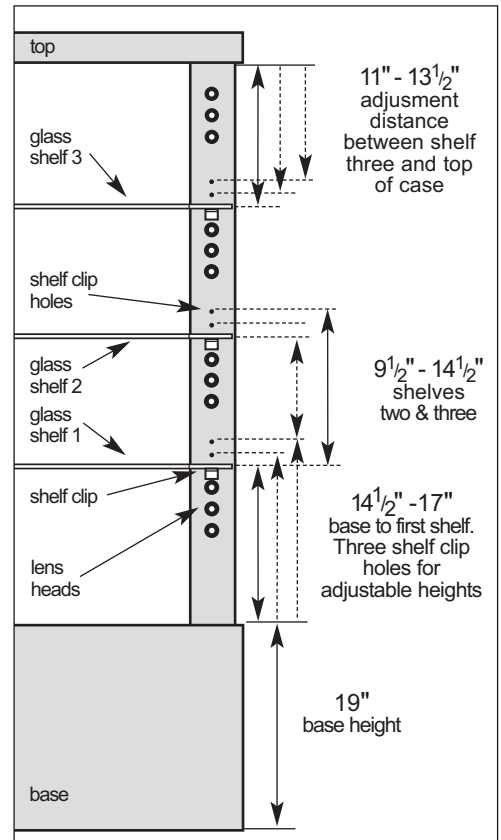
Product Size:

- $19\frac{5}{8}$ " x $20\frac{11}{16}$ " x 75"

Options:

- Mirrored Back and Base Shelf
- Solid Metal Back

Shelf Spacing Diagram



Showcase shown is a standard CM30 in Black Wrinkle powder coated finish with glass back.



ACTIVE
METAL, INC.

2219 Cottage St. • Ashland, OH 44805 • 419.281.9623 • Fax: 419.282.0058 • www.activemetalinc.com

© 2005 Active Metal Inc.

CM40

Product Description:

Powder coated metal showcase featuring glass fiber optic lighting and swinging curved front glass door.

Standard Features:

- 4 Top Down Lights
- 8 Top Adjustable Lens Heads
- 8 Lens Heads Per Shelf
- 44 Total Light Points
- 3 Glass Shelves, $\frac{5}{16}$ " Glass
- 2 Abloy High Security Locks
- $\frac{1}{4}$ " Curved Glass Door
- Showcase Shown Has Optional Mirrored Back and Base Shelf
- Standard Cases Have Metal Back and Solid Metal Base Shelf

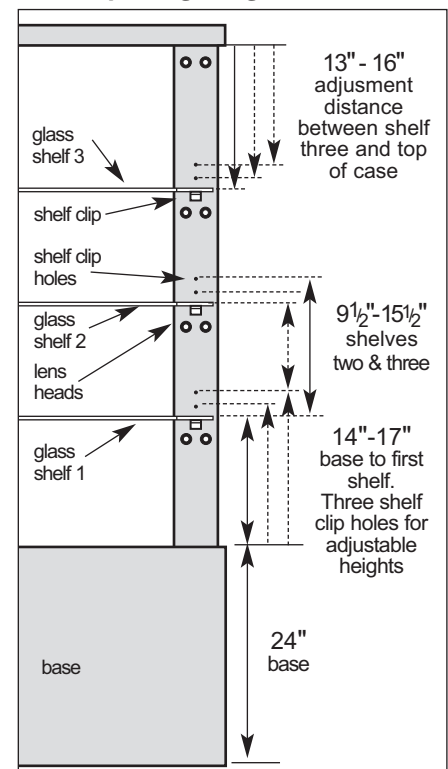
Product Size:

- 22" x 21 $\frac{1}{2}$ " x 81"

Options:

- Mirrored Back and Base Shelf
- Glass Back

Shelf Spacing Diagram



Showcase shown is a CM40 modified with optional mirrored back. Powder coated in Black Wrinkle finish.



ACTIVE
METAL, INC.

2219 Cottage St. • Ashland, OH 44805 • 419.281.9623 • Fax: 419.282.0058 • www.activemetalinc.com

© 2005 Active Metal Inc.

CM5



Showcase shown is a standard CM5 in White Peel powder coated finish with glass back.

CM5 Product Description:

Powder coated metal showcase featuring glass fiber optic lighting and swinging front glass doors.

Standard Features:

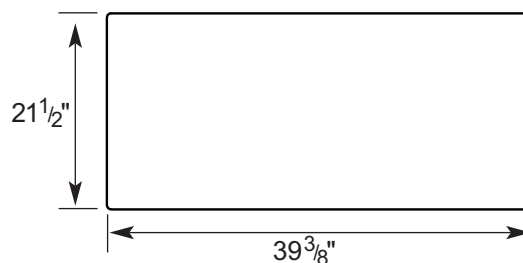
- 8 & 16 Lens Heads Per Shelf
- 24 Total Light Points
- 1 Glass Shelf, $\frac{5}{16}$ " Glass
- 4 Abloy High Security Locks
- $\frac{1}{4}$ " Swinging Glass Doors
- Solid Metal Base Shelf
- Large Storage Area in Left Side of Base

Product Size:

- $39\frac{3}{8}$ " x $21\frac{1}{2}$ " x $41\frac{3}{16}$ "

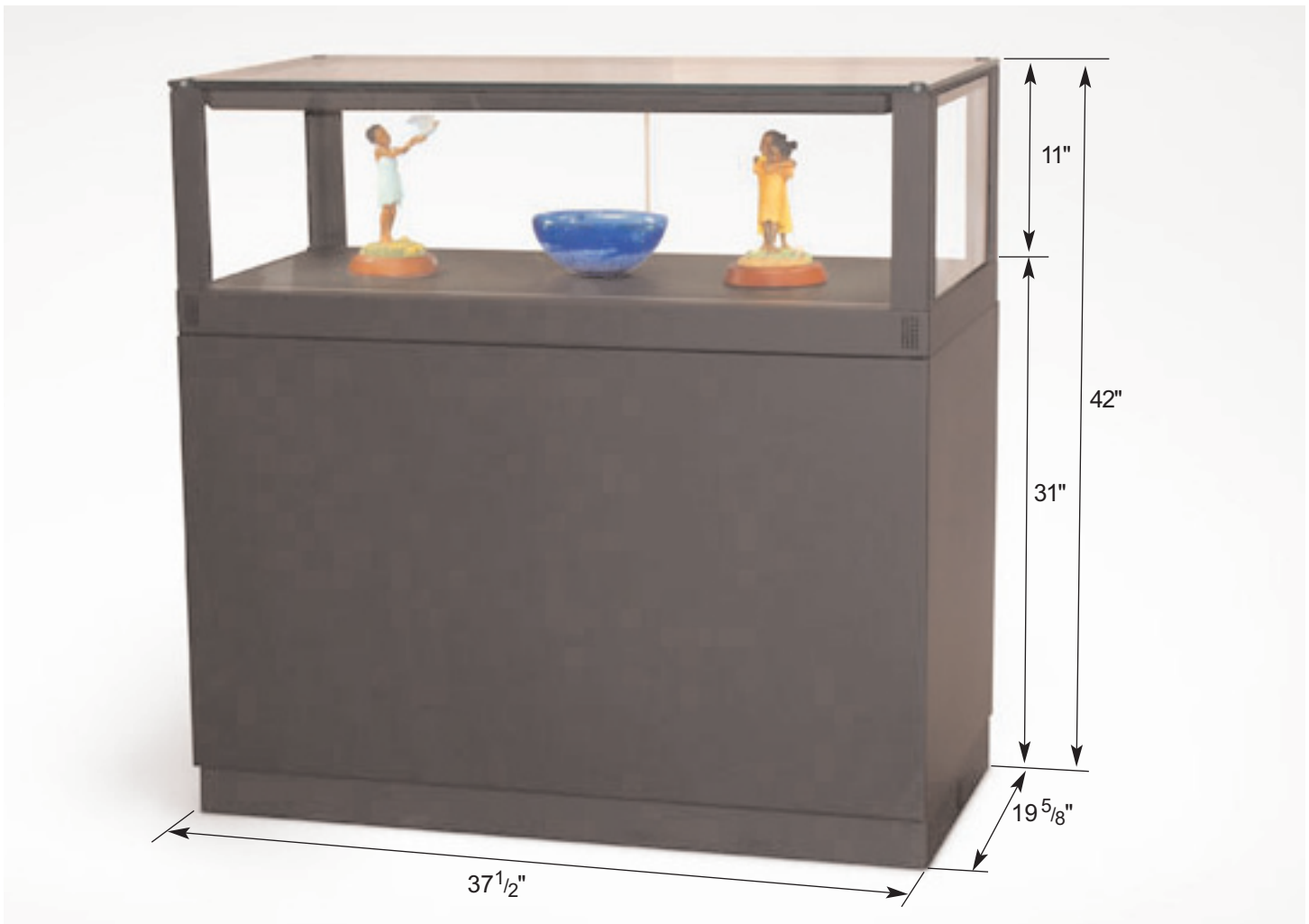
Options:

- Mirrored Back and Base Shelf
- Solid Metal Back



 ACTIVE
METAL, INC.
2219 Cottage St.
Ashland, OH 44805
419.281.9623
Fax: 419.282.0058
www.activemetalinc.com
© 2005 Active Metal Inc.

CM34



Showcase shown is a standard CM34 in Gunmetal powder coated finish

Product Description:

Powder coated metal showcase featuring glass fiber optic lighting

Standard Features:

- Top Light Bar
- 50 Total Light Points
- 4 Abloy High Security Locks
- 1/4" Lockable Sliding Glass Doors
- Solid Metal Base Shelf
- 2 Large Sliding Storage Drawers
- Large storage Area in Left Side of Base



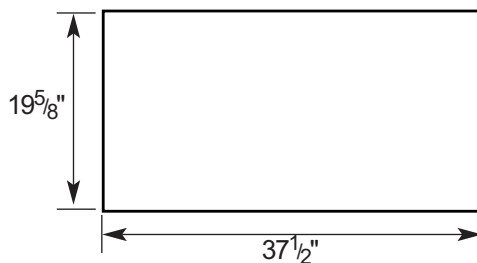
Back of case features two sliding drawers for storage

Product Size:

- 19 5/8" x 37 1/2" x 42"

Options:

- Mirrored Base Shelf



ACTIVE METAL, INC.

2219 Cottage St.
Ashland, OH 44805
419.281.9623

Fax: 419.282.0058

www.activemetalinc.com

© 2005 Active Metal Inc.

CM56



Showcase shown is a 60 inch long CM56 powder coated in blue wrinkle shown with sliding rear doors powder coated in charcoal.

Product Description:

Available in 48" and 60" lengths. Powder coated metal showcase featuring glass fiber optic lighting.

Standard Features:

- 52 Light Points in Top Light Bar
- 18 Adjustable Lens Heads
- 70 Total Light Points
- 6 Abloy High Security Locks
- 1/4" Lockable Sliding Glass Doors or Drop Down Doors
- Solid Metal Base Shelf
- 4 Large Sliding Storage Drawers
- Large storage Area in Left Side of Base

Product Size:

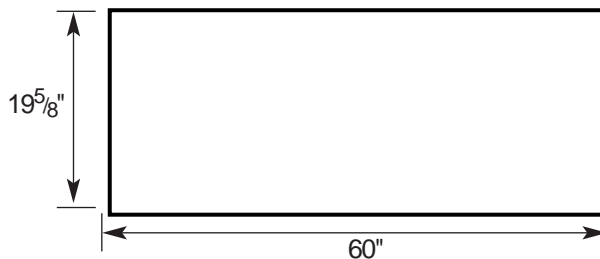
- 19 5/8" x 60" x 42"

Options:

- Mirrored Base Shelf

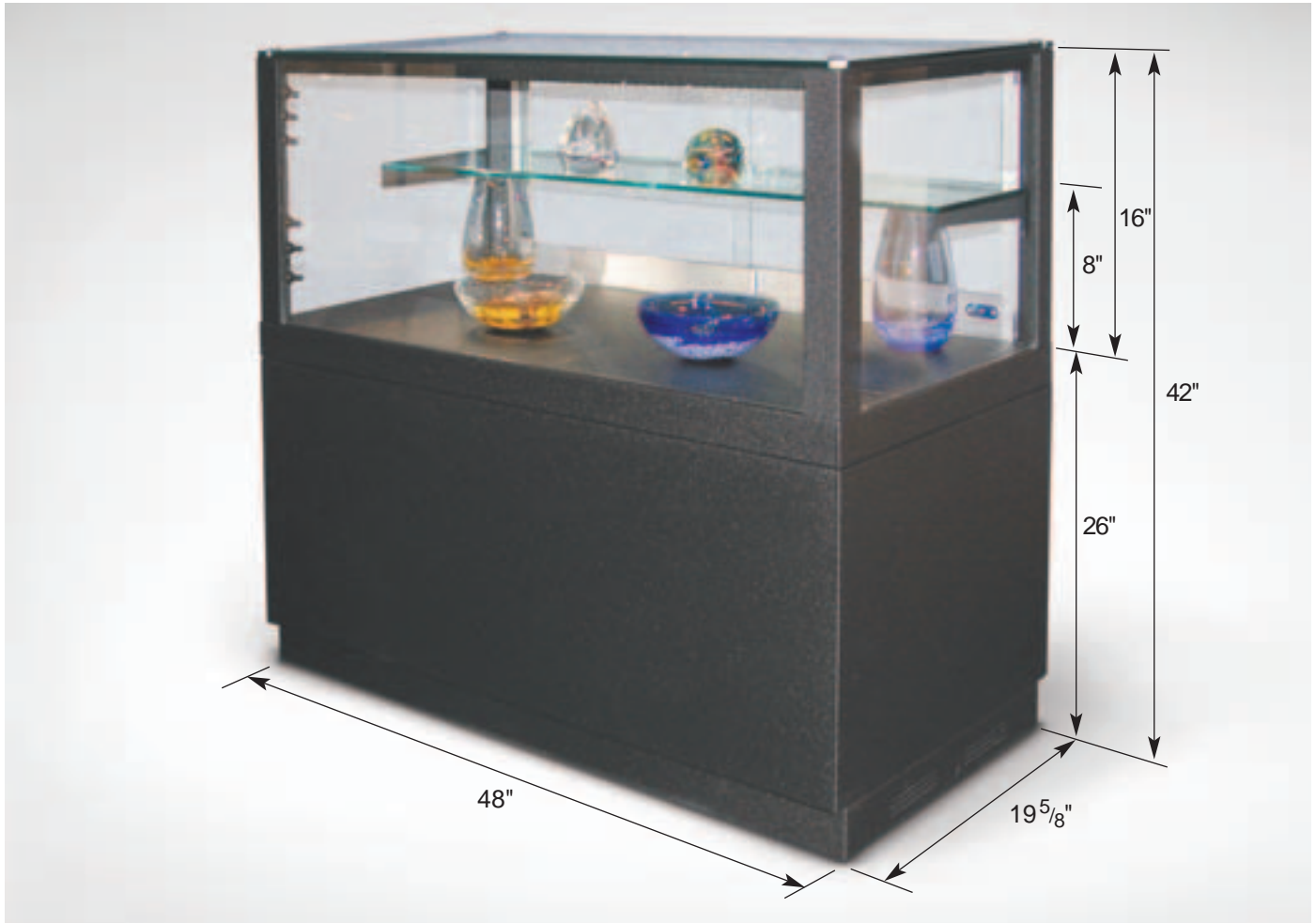


Back of case features four sliding drawers for storage



ACTIVE
METAL, INC.
2219 Cottage St.
Ashland, OH 44805
419.281.9623
Fax: 419.282.0058
www.activemetalinc.com
© 2005 Active Metal Inc.

CM36



Showcase shown is a standard CM36 in Black Wrinkle powder coated finish

Product Description:

Powder coated metal showcase featuring glass fiber optic lighting

Standard Features:

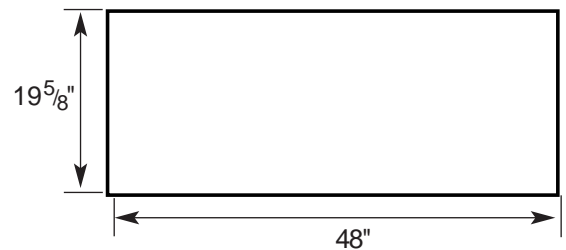
- Top Light Bar
- 6 Lens Heads Per Shelf
- 64 Total Light Points
- 1 or 1/2 Glass Shelves, 5/16" Glass
- 1/4" Lockable Sliding Glass Doors
- Solid Metal Base Shelf
- Large Storage Area in Left Side of Base

Product Size:

- 19 5/8" x 48" x 42"

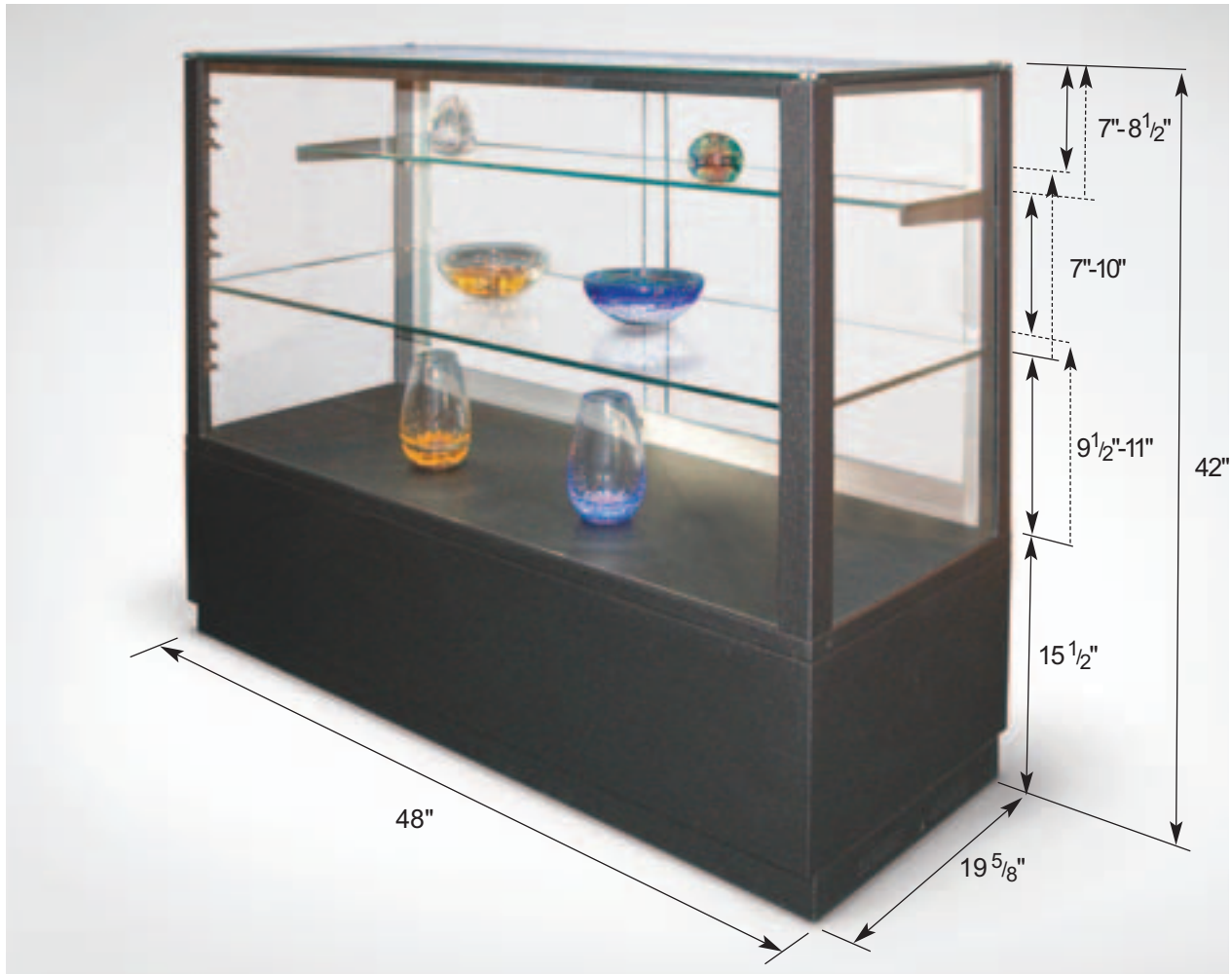
Options:

- Mirrored Base Shelf



ACTIVE
METAL, INC.
2219 Cottage St.
Ashland, OH 44805
419.281.9623
Fax: 419.282.0058
www.activemetalinc.com
© 2005 Active Metal Inc.

CM 37



Showcase shown is a standard CM37 in Black Wrinkle powder coated finish

Product Description:

Powder coated metal showcase featuring glass fiber optic lighting

Standard Features:

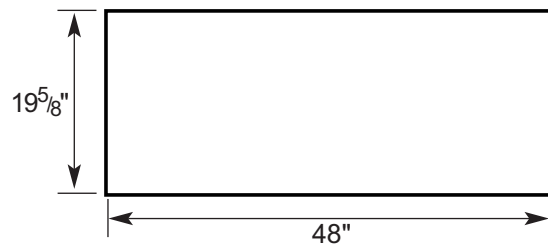
- Top Light Bar
- 6 Lens Heads Per Shelf
- 70 Total Light Points
- 1 1/2 or 2 Glass Shelves, 5/16" Glass
- 1/4" Lockable Sliding Glass Doors
- Solid Metal Base Shelf
- Lockable Sliding Doors in Base
- Large Storage Area in Left Side of Base

Product Size:

- 19 5/8" x 48" x 42"

Options:

- Mirrored Base Shelf



 ACTIVE
METAL, INC.
2219 Cottage St.
Ashland, OH 44805
419.281.9623
Fax: 419.282.0058
www.activemetalinc.com
© 2005 Active Metal Inc.

CM7



Showcase shown is a standard CM7 in Black Wrinkle powder coated finish with optional mirrored back.

CM7 Product Description:

Powder coated metal showcase featuring glass fiber optic lighting and curved front glass doors.

Standard Features:

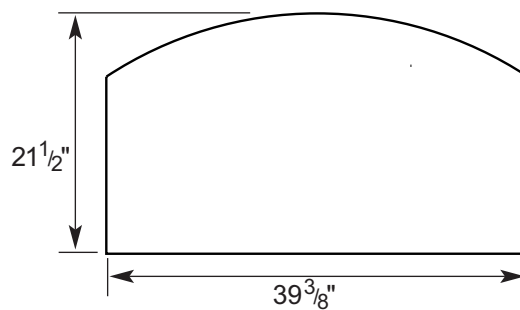
- 8 & 16 Lens Heads Per Shelf
- 24 Total Light Points
- 1 Glass Shelf, $\frac{5}{16}$ " Glass
- 4 Abloy High Security Locks
- $\frac{1}{4}$ " Curved Glass Doors
- Shown With Optional Mirrored Back and Base Shelf
- Standard Cases Have Solid Metal Back and Base
- Large Storage Area in Left Side of Base

Product Size:

- $39\frac{3}{8}$ " x $21\frac{1}{2}$ " x $41\frac{3}{16}$ "

Options:

- Mirrored Back and Base Shelf



 ACTIVE
METAL, INC.
2219 Cottage St.
Ashland, OH 44805
419.281.9623
Fax: 419.282.0058
www.activemetalinc.com
© 2005 Active Metal Inc.

CM8



Showcase shown is a standard CM8 in White Silver Vein powder coated finish with swinging curved glass doors front and back

CM 8 Product Description:

Powder coated metal showcase featuring glass fiber optic lighting and swinging curved front and back glass doors.

Standard Features:

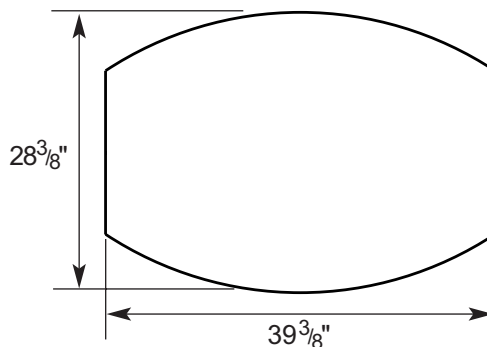
- 8 & 16 Lens Heads Per Shelf
- 24 Total Light Points
- 1 Glass Shelf, $\frac{5}{16}$ " Glass
- 4 Abloy High Security Locks
- $\frac{1}{4}$ " Curved Front and Rear Glass Doors
- Solid Metal Base Shelf
- Large Storage Area in Left Side of Base

Product Size:

- $39\frac{3}{8}$ " x $28\frac{3}{8}$ " x $41\frac{3}{16}$ "

Option:

- Mirrored Base Shelf



ACTIVE
METAL, INC.
2219 Cottage St.
Ashland, OH 44805
419.281.9623
Fax: 419.282.0058
www.activemetalinc.com
© 2005 Active Metal Inc.

CM55



Rear view of CM55, showing pull-out drawers and Cabinet space for the illuminator

Showcase shown is a standard CM55 powder coated in Blue Wrinkle with sliding rear doors powder coated in charcoal.

Product Description:

Powder coated metal sit-down showcase featuring glass fiber optic lighting

Standard Features:

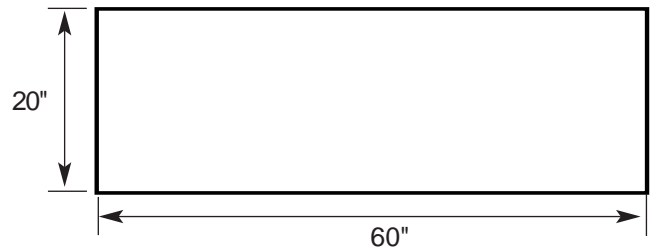
- Top Light Bar
- 18 Adjustable Lens Heads
- 70 Total Light Points
- 1/4" Tempered Lockable Sliding Glass Doors
- Solid Metal Base Shelf
- 150 Watt Illuminator Housed Behind Swinging Metal Door
- 3 Sliding Metal Drawers For Storage

Product Size:

- 20" x 60" x 38"

Options:

- Mirrored Base Shelf
- Mirrored Sliding Glass Doors



2219 Cottage St.
Ashland, OH 44805
419.281.9623
Fax: 419.282.0058
www.activemetalinc.com
©2005 Active Metal Inc.

ST Halogen

Product Description:

Powder coated metal showcase featuring halogen lighting and swinging front glass door.

Standard Features:

- 2 Top Down Lights
- 2 Halogen Lights Per Shelf
- 10 Total Light Points
- 3 Glass Shelves, $\frac{5}{16}$ " Glass
- 2 Abloy High Security Locks
- $\frac{1}{4}$ " Swinging Glass Door
- Solid Metal Base Shelf
- Large Storage Area in Base
- 360° Viewing

Product Size:

- $19\frac{5}{8}$ " x $20\frac{11}{16}$ " x $78\frac{1}{2}$ "

Options:

- Mirrored Back and Base Shelf
- Solid Metal Back



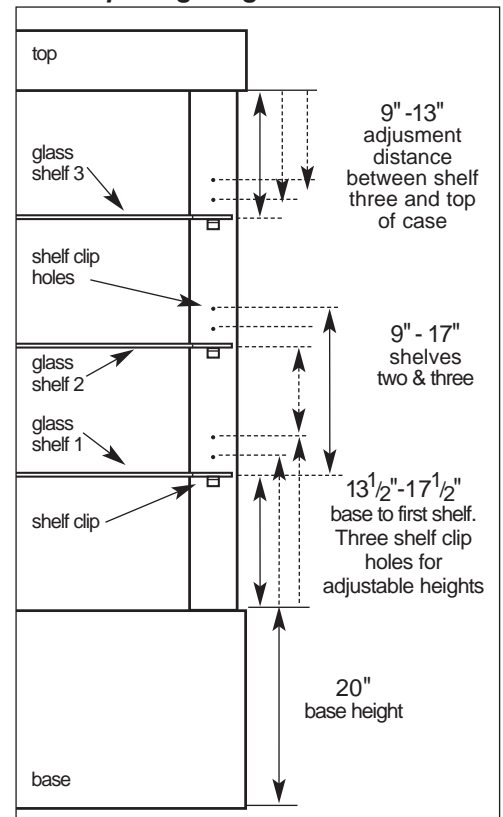
78¹/₂"

20"

19⁵/₈"

20¹¹/₁₆"

Shelf Spacing Diagram



Showcase shown is a standard ST Halogen in Black Wrinkle powder coated finish.



DT Halogen

Product Description:

Powder coated metal showcase featuring halogen lighting and swinging front glass doors.

Standard Features:

- 4 Top Down Lights
- 2 Halogen Lights Per Shelf
- 12 Total Light Points
- 3 Glass Shelves, $\frac{5}{16}$ " Glass
- 4 Abloy High Security Locks
- $\frac{1}{4}$ " Swinging Glass Doors
- Solid Metal Base Shelf
- Large Storage Area in Base
- 360° Viewing

Product Size:

- $19\frac{5}{8}$ " x $37\frac{1}{2}$ " x $78\frac{1}{2}$ "

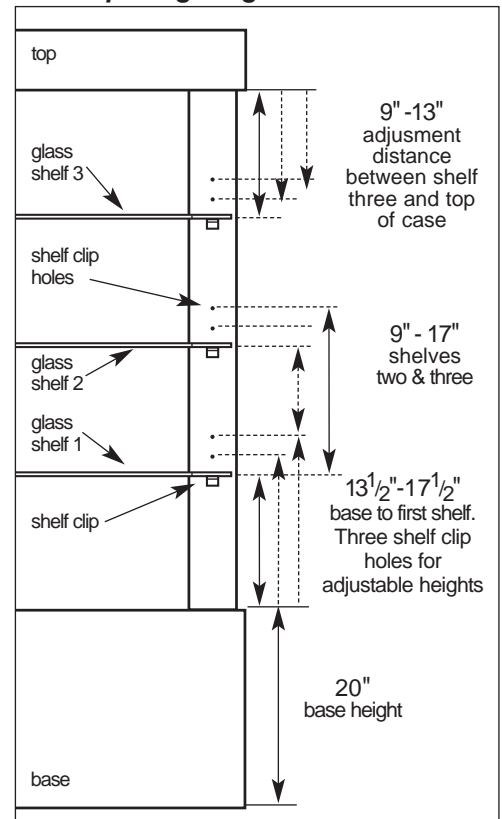
Options:

- Mirrored Back and Base Shelf
- Solid Metal Back



Showcase shown is a standard DT Halogen with Black Wrinkle powder coated finish.

Shelf Spacing Diagram



ACTIVE METAL, INC.

2219 Cottage St. ▪ Ashland, OH 44805 ▪ 419.281.9623 ▪ Fax: 419.282.0058 ▪ www.activemetalinc.com

© 2005 Active Metal Inc.

ST Fluorescent

Product Description:

Powder coated metal showcase featuring fluorescent puck lighting

Standard Features:

- 2 Top Fluorescent Puck Down Lights
- 5 Glass Shelves, $\frac{5}{16}$ " Glass
- Solid Metal Base Shelf
- 360° Viewing
- Adjustable Leveling Feet

Product Size:

- 18" x 24" x 80"

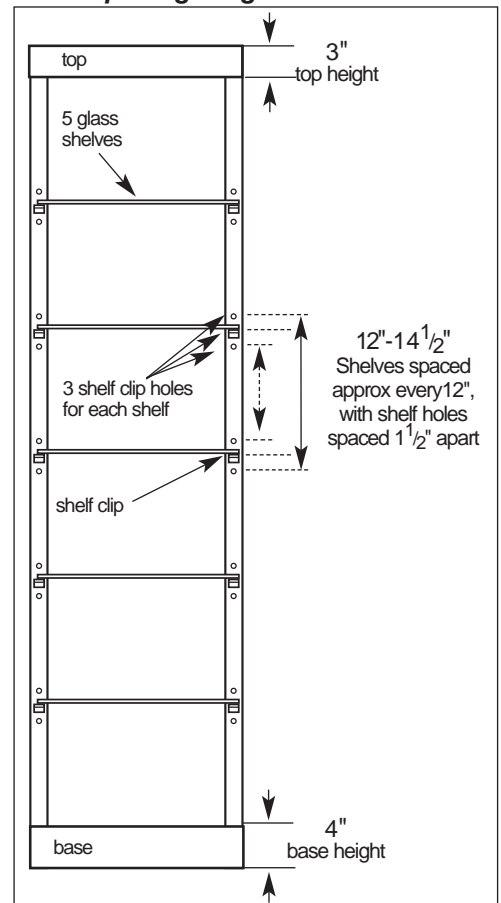
Options:

- Locking Swinging Glass Door, Glass Sides and Glass Back
- Mirrored Back and Base Shelf
- Solid Metal Back



Showcase shown is a standard ST Fluorescent in Black Wrinkle powder coated finish.

Shelf Spacing Diagram



ACTIVE
METAL, INC.

2219 Cottage St. ▪ Ashland, OH 44805 ▪ 419.281.9623 ▪ Fax: 419.282.0058 ▪ www.activemetalinc.com

© 2005 Active Metal Inc.

DT Fluorescent

Product Description:

Powder coated metal showcase featuring fluorescent puck lighting

Standard Features:

- 2 Top Fluorescent Puck Down Lights
- 5 Glass Shelves, $\frac{5}{16}$ " Glass
- Solid Metal Base Shelf
- 360° Viewing
- Adjustable Leveling Feet

Product Size:

- 18" x 36" x 80"

Options:

- Locking Swinging Glass Door, Glass Sides and Glass Back
- Mirrored Back and Base Shelf
- Solid Metal Back



Showcase shown is a Double Tower Fluorescent in White Silver Vein powder coated finish, shown with optional side glass and locking swinging Glass Doors.

Shelf Spacing Diagram

